

Wireless 3-axis Accelerometer Sensor

Wireless Sensor Network Based on LoRa Technology



R311FA1

Data Sheet

Copyright©Netvox Technology Co., Ltd.

This document contains proprietary technical information which is the property of NETVOX Technology. It shall be maintained in strict confidence and shall not be disclosed to other parties, in whole or in part, without written permission of NETVOX Technology. The specifications are subject to change without prior notice.

Wireless 3-axis Accelerometer Sensor

Introduction

When the device moves or vibrates beyond the set threshold, it immediately reports the current acceleration and velocity of the X, Y, and Z axes. The device is compatible with the LoRaWAN protocol and adopts SX1276 wireless communication module.

Main Characteristic

- 2 sections 3.0V CR2450 button batteries
- 3-axis Acceleration and Velocity Detection
- Adopt SX1276 wireless communication module
- The preset sampling frequency of vibration is 800Hz
- Compatible with LoRaWAN™ Class A
- Frequency hopping spread spectrum
- Configuration parameters can be configured through third-party software platforms, data can be read and alarms can be set via SMS text and email (optional)
- Applicable to the third-party platforms: Actility/ThingPark, TTN, MyDevices/Cayenne
- Low power consumption and long battery life

Note:

Battery life is determined by the sensor reporting frequency and other variables, please refer to http://www.netvox.com.tw/electric/electric_calc.html

On this website, users can find battery life of various models in different configurations.

Application

- Anti-theft System
- Industrial Equipment
- Security Field

Wireless 3-axis Accelerometer Sensor

Dimension

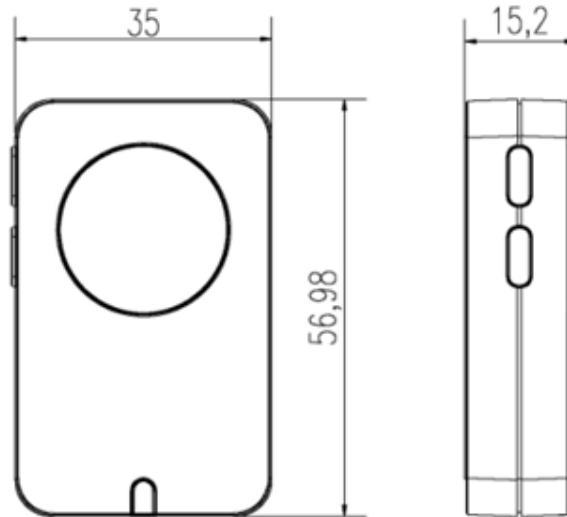


Figure 2 Dimensions of main engine shell(excluding external antenna)

Electric

Input Power	2 x 3.0V CR2450 button batteries
Operation Voltage Range	DC +2.4V to 3.0V
Low Battery Voltage Threshold	2.4V
Standby Current	40uA/ 3.0V
Emission Current (max)	120mA / 3.0V
Receiving Current (max)	11mA/ 3.0V
Battery Measurement Accuracy	± 0.1V

3-axis Accelerometer Sensor

Operation voltage range	1.8v to 3.6v
Operating Temperature Range	-40°C to 85°C
ADC Maximum Resolution	13 Bits
Communication Method	SPI communication
Three-axis Acceleration Accuracy	±16g
Sampling Rate	800 Hz (default)

Wireless 3-axis Accelerometer Sensor

Frequency

Frequency Range	863MHz-928MHz 470MHz-510MHz
TX Power	US915 20dbm AS923 16dbm AU915 20dbm CN470 19.15dbm EU868 16dbm KR920 14dbm IN865 20dbm
Receiving Sensitivity	-136dBm (LoRa, Spreading Factor=12, Bit Rate = 293bps) -121dBm (FSK, Frequency deviation=5kHz, Bit Rate=1.2kbps)
Antenna Type	Build-in antenna
Communication Distance	10 km (visible linear obstacle-free transmission distance, actual transmission distance depending on the environment)
Data Transfer Rate	LoRaWan: 0.3kbps ~ 50kbps FSK: 1.2kbps ~ 300kbps
Modulation	LoRa / FSK (Note: choose one of them)
Supportable LoRaWAN Frequency	EU863-870, US902-928, AU915-928, KR920-923, AS923-1, AS923-2, AS923-3, IN865-867, CN470-510 (Note: The frequency band is optional and needs to be configured before shipment)

Physical

Dimension	57 mm x 35 mm x 15.2 mm
Weight	48.9g
Environment Humidity	<90 %RH (No condensation)
Operating Temperature	-20°C to 55 °C
Storage Temperature	-40°C to 85 °C