

---

# Wireless Activity Detection Sensor

---

Wireless Sensor Network Based on LoRa Technology



## R718MBA

## Data Sheet

**Copyright©Netvox Technology Co., Ltd.**

This document contains proprietary technical information which is the property of NETVOX Technology. It shall be maintained in strict confidence and shall not be disclosed to other parties, in whole or in part, without written permission of NETVOX Technology. The specifications are subject to change without prior notice.

---

## Wireless Activity Detection Sensor

---

### Introduction

It detects the sudden movement or vibration of the device and send an alarm signal to the gateway for processing. It uses the SX1276 wireless communication module.

### Main Characteristic

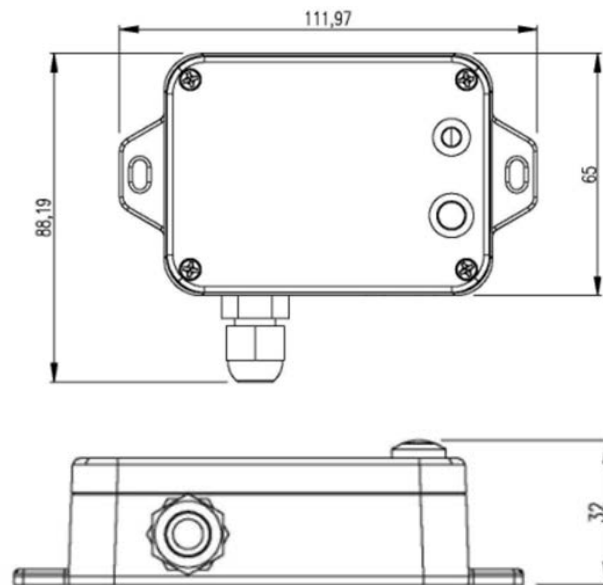
- Improved interference immunity
- Compatible with LoRaWAN™ Class A
- Frequency hopping spread spectrum (FHSS)
- The base is attached with a magnet that can be attached to a ferromagnetic material object
- Applicable to the third-party platforms: Actility/ThingPark, TTN, MyDevices/Cayenne
- Low power consumption and long battery life

Note:

Battery life is determined by the sensor reporting frequency and other variables, please refer to [http://www.netvox.com.tw/electric/electric\\_calc.html](http://www.netvox.com.tw/electric/electric_calc.html)

### Application

- Smart home
- Industrial and commercial
- Objects to be detected movement or vibration

**Wireless Activity Detection Sensor****Dimension****Electric**

Input Power	2 x 3.6V ER14505 AA lithium batteries (3.6V 2400mah/ section)
Standby Current	76uA
Wakeup Current	6.3mA/ 3.3V
Receiving Current (max)	11mA/ 3.3V
Transmitting Current (max)	120mA/ 3.3V
Battery Measurement Accuracy	± 0.1V
Low Voltage Threshold	3.2V

\* Specific electrical characteristics may vary depending on the power supply voltage

---

**Wireless Activity Detection Sensor**


---

**Frequency**

Frequency Range	863MHz-928MHz 470MHz-510MHz
TX Power	US915 20dbm; AS923 16dbm; AU915 20dbm; CN470 19.15dbm; EU868 16dbm; KR920 14dbm; IN865 20dbm;
Receiving Sensitivity	-136 dBm (LoRa, Spreading Factor=12, Bit Rate = 293bps) -121 dBm (FSK, Frequency deviation=5kHz, Bit Rate=1.2kbps)
Antenna Type	Build-in antenna
Communication Distance	10 km (Visible linear obstacle-free transmission distance, actual transmission distance depending on the environment.)
Data Transfer Rate	0.3kbps ~ 50kbps
Modulation	LoRa / FSK (Note: choose one of them)
Supportable LoRaWAN Frequency	EU863-870, US902-928, AU915-928, KR920-923, AS923, CN470-510 (Note: The frequency band is optional and needs to be configured before shipment.)

**Physical**

Dimension	L: 112 mm x W: 65 mm x H: 32 mm
Weight	141g
Environment Humidity Range	<90 %RH (No condensation)
Operating Temperature	-20°C to 55 °C
Storage Temperature	-40°C to 85 °C