

Wireless RS232 Adapter

R718PDA Data Sheet

Wireless Sensor Network Based on LoRa Technology



(subject to the actual object)

Copyright©Netvox Technology Co., Ltd.

This document contains proprietary technical information which is the property of NETVOX Technology and is issued in strict confidential and shall not be disclosed to others parties in whole or in parts without written permission of NETVOX Technology. The specifications are subjected to change without prior notice.

Wireless RS232 Adapter

Introduction

R718PDA only supports RS232 serial port transmission. The device can send the read commands to sensors supporting RS232 protocol according to the configured cycle. The information returned by the sensor will be directly reported to the gateway, and be displayed on the interface of the gateway. It adopts SX1276 wireless communication module.

Operating Principle

The module communicates with an external RS232 type device by serial communication.

Main Characteristic

- Adopt SX1276 wireless communication module
- DC 12V adapter power supply
- Main Unit Protection level IP65/IP57 (optional)
- The base is equipped with a magnet that can be attached to the iron object
- RS232 serial port communication
- Compatible with LoRaWAN™ Class C
- Frequency hopping spread spectrum technology
- Configuring parameters and reading data via third-party software platforms, and set alarms via SMS text and email (optional)
- Applicable to third-party platforms: Actility / ThingPark, TTN, MyDevices / Cayenne

Application

- Smart home products
- Health and medical equipment
- Wireless data transmission products
- Other

Wireless RS232 Adapter

Dimension

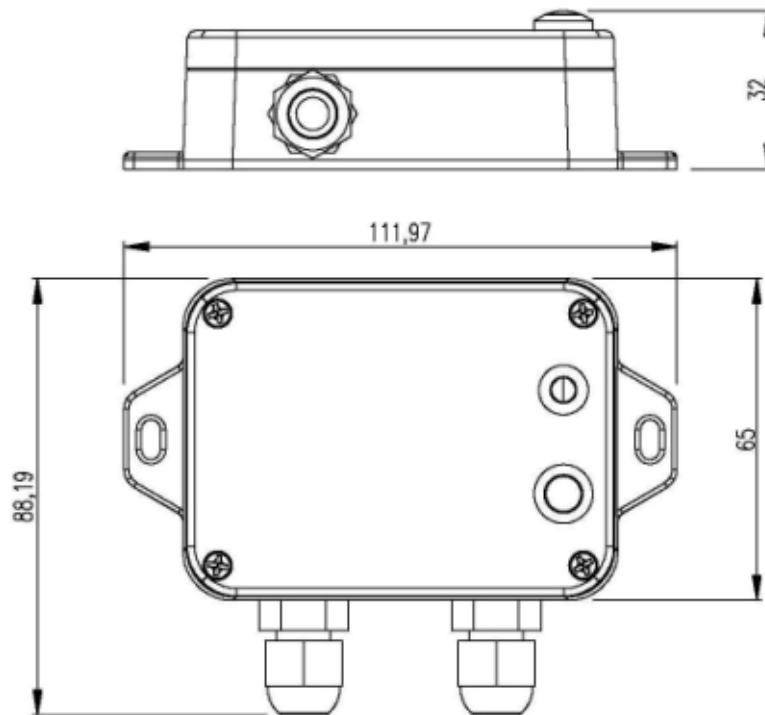


Fig. Main Unit Dimension (Unit: mm)

Electric

Power Supply	DC 12V adapter power supply
Operating Current	Less than 45mA (without external device)
12V Output Wire Current	Less than 1A

* Specific electrical characteristics will vary depending on the power supply voltage

Frequency

Frequency Range	863MHz-928MHz	470MHz-510MHz
Power Output	US915	20dbm
	AS923	16dbm
	AU915	20dbm
	CN470	19.15dbm
	EU868	16dbm
	KR920	14dbm
	IN865	20dbm

Wireless RS232 Adapter

Receiving Sensitivity	-136dBm (LoRa, Spreading Factor=12, Bit Rate = 293bps) -121 dBm (FSK, Frequency deviation=5kHz, Bit Rate=1.2kbps)
Antenna Type	Built-in antenna
Communication Distance	10 km (visible linear obstacle-free transmission distance, actual transmission distance depends on the environment)
Data Transfer Rate	LoRa: 0.3kbps~50kbps FSK: 1.2kbps~300kbps
Modulation System Mode	LoRa/FSK (Note: choose one of them)
Supportable LoRaWAN Band	EU863-870, US902-928, AU915-928, KR920-923, AS923-1, AS923-2, AS923-3, IN865, CN470-510 (Note: The frequency band is optional and needs to be configured before shipment)

Physical

Dimension	L: 112 mm*W: 88.19 mm*H: 32 mm
Main Unit Weight	About 160g
Ambient Temperature Range	- 20°C to 55°C
Ambient Humidity Range	<90% RH (no condensation)
Storage Temperature Range	- 40 °C ~ 85 °C