

Wireless Push Button Interface R718T Data Sheet

Wireless Sensor Network Based on LoRa Technology



R718T

Copyright©Netvox Technology Co., Ltd.

This document contains proprietary technical information which is the property of NETVOX Technology. It shall be maintained in strict confidence and shall not be disclosed to other parties, in whole or in part, without written permission of NETVOX Technology.

The specifications are subject to change without prior notice.

Wireless Push Button Interface

General Description

The wireless push button interface allows a notification signal to be sent when connected push button is pushed. When someone is in danger and needs emergency assistance, press the emergency push button device; R718T immediately sends an alarm message to the gateway.

Principle of Operation

The device can be connected to an external emergency push button device (2 lines connected to the 2 end of the emergency switch button) that can detect the on or off signal of the emergency switch button. It uses the SX1276 wireless communication module.

Example Applications

- Customer service request button
- Hotel / motel front desk call button
- Bathroom needs cleaning (service call button)
- Access call button

Features of NETVOX Sensors

- LoRaWAN™ Class A compatible
- Frequency Hopping Spread Spectrum (FHSS)
- Improved interference immunity
- Improved power management for longer battery life
- Encrypt-RF™ Security (Diffie-Hellman Key Exchange + AES-128 CBC for sensor data messages)
- Battery Life*2:

Please refer to web: http://www.netvox.com.tw/electric/electric_calc.html

At this website, users can find battery life time for various models at different configurations.

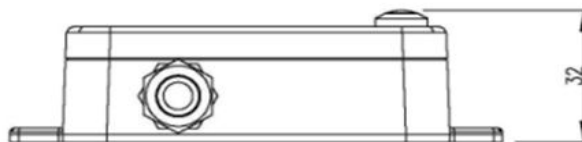
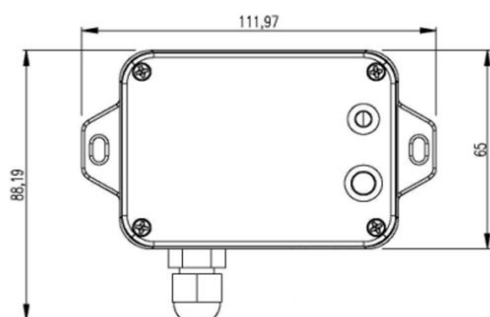
- Over-the-air updates (future)
- Third-Party online wireless sensor monitoring and notification system to configure sensors, view data and set alerts via SMS text and email (optional)
- Available third-party platform: Actility/ThingPark, TTN, MyDevices/Cayenne
- R718X series carry magnets which can be attached to ferromagnetic materials and objects

*1. Actual range may vary depending on environment.

*2. Battery life is determined by sensor reporting frequency and other variables

Wireless Push Button Interface

Technical Specifications (Main Part)



(Uni. mm)

Electric

Input Power	2 x 3.6V ER14505 AA lithium batteries (3.6V2400mah/section)
Sleeping Mode	22uA
Wake up Mode	6.3mA@3.3V
Receiving Current (max)	11mA @3.3V
Transmitting Current (max)	120mA/3.3V
Battery Voltage Measurement Accuracy	±0.1V
Low Voltage Threshold	3.2V

* Specific electrical characteristics may vary depending on the power supply voltage.

Frequency

TX Power	19dBm±1dBm
Rx Sensitivity	-136dBm (LoRa, Spreading Factor=12, Bit Rate=293bps) -121dBm (FSK, Frequency deviation=5kHz, Bit Rate=1.2kbps)
Antenna Type	Build-in antenna
Communication Range	Up to 10 km, the actual transmission distance depends on the environment.
Data Transfer Rate	0.3kbps~50kbps
Spread Technique	LoRa/FSK
Available Frequency	EU863-870, US902-928, AU915-928, KR920-923, AS923, CN470-510 (Configured before shipment)

Wireless Push Button Interface

Physical

Dimension	Main Part: L: 112mm*W: 65mm*H: 32mm
Weight	141g
Environment Temperature Range	-20°C ~ 55°C
Environment Humidity Range	<90% RH (No condensation)
Storage Temperature	-40°C ~ 85°C

Contact:**NETVOX TECHNOLOGY CO., LTD.****TEL: 886-6-2617641****FAX: 886-6-2656120****E-mail: sales@netvox.com.tw****WEB: www.netvox.com.tw****NETVOX TECHNOLOGY CO., LTD (XIAMEN)****TEL: 86-592-5717188****FAX: 86-592-5717180****E-mail: dyx@netvox.com.cn****WEB: www.netvox.com.cn**