

Wireless Multifunctional Control Box

R831C Data Sheet

Wireless Sensor Network Based on LoRa Technology



Copyright©Netvox Technology Co., Ltd.

This document contains proprietary technical information which is the property of NETVOX Technology and is issued in strict confidential and shall not be disclosed to others parties in whole or in parts without written permission of NETVOX Technology. The specifications are subjected to change without prior notice.

Wireless Multifunctional Control Box

1. Introduction

R831 can be equipped with a three-way controllable relay switch. The three-way relay output can be used as a dry contact. The user can separately control it through wireless commands which adopts SX1276 wireless communication module.

R831 series has 4 types: R831A, R831B, R831C, and R831D. R831C is a relay dry contact control box connected to three buttons. Each button controls one specific relay.

2. Features

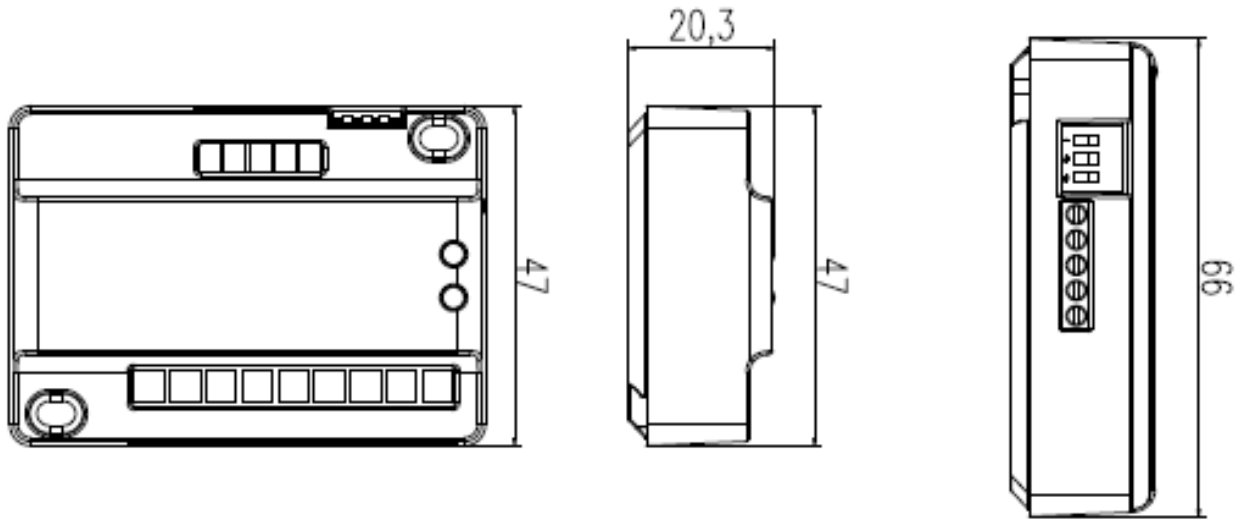
- SX1276 wireless communication module
- Three-way relay control
- Compatible with LoRaWAN™ Class C
- Frequency hopping spread spectrum
- Configuring parameters and reading data via the third-party software platforms, and set alarms via SMS text and email (optional)
- Applicable to the third-party platforms: Actility/ ThingPark, TTN, MyDevices/Cayenne

3. Applications

- Indoor smart switch for home or business
- Real-time remote controlled equipment

Wireless Multifunctional Control Box

4. Dimensions



5. Electrical Specifications

Operating Voltage	Adapter DC 12V/1A
Operating Current	20mA (12V): no relay action status and data sent by LoRa. <250mA (12V): relay action status and data sent by LoRa.
Relay Switch Load Characteristic	Contact load: AC250V/5A, DC30V/5A
Relay Coil Power Consumption	300mW
Relay Model	HFE60/5-1HSTGL2R
Relay Type	Magnetic latching relay

Wireless Multifunctional Control Box

6. Frequency

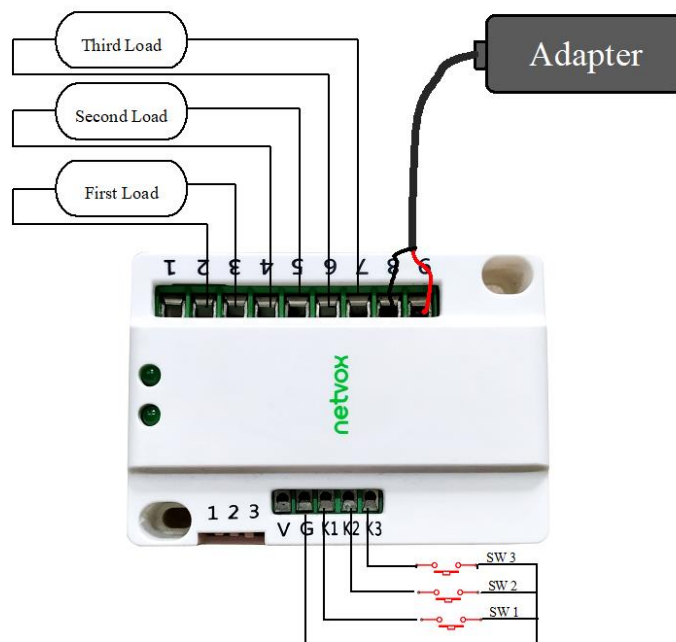
Frequency Range	863MHz-928MHz 470MHz-510MHz
TX Power	US915 20dbm AS923 16dbm AU915 20dbm CN470 19.15dbm EU868 16dbm KR920 14dbm IN865 20dbm
Receive Sensitivity	-136dBm (LoRa, Spreading Factor=12, Bit Rate=293bps) -121dBm (FSK, Frequency deviation=5kHz, Bit Rate=1.2kbps)
Antenna Type	Built-in antenna
Communication Range	10km (line of sight) Note: The communication range may vary due to the environment.
Data Transfer Rate	0.3kbps – 50k bps (LoRa) 1.2kbps – 300k bps (FSK)
Modulation Method	LoRa/FSK (Note: One modulation method is required.)
Supportable LoRaWAN Band	EU863-870, US902-928, AU915-928, KR920-923, AS923-1, AS923-2, AS923-3, IN865, CN470-510 (Note: optional, to be configured before shipment)

Wireless Multifunctional Control Box

7. Physical Properties

Main Body Dimensions	66mm x 47mm x 20.3mm
Ambient Temperature Range	-20°C – 55°C
Ambient Humidity Range	<90%RH (No condensation)
Storage Temperature Range	-40°C – 85°C

8. Wiring Diagram



▲ R831C & R831D Wiring Diagram

(AC Source and DC Source Load characteristics:
Relay Load: AC250V/5A, DC30V/5A)

Note: Improper wiring could cause danger to users. Please follow the wiring diagram while installing.