

Wireless 2-Input mA Current Meter Interface, 4~20 mA

Wireless Sensor Network Based on LoRa Technology



R718KA2 Data Sheet

Copyright©Netvox Technology Co., Ltd.

This document contains proprietary technical information which is the property of NETVOX Technology. It shall be maintained in strict confidence and shall not be disclosed to other parties, in whole or in part, without written permission of NETVOX Technology. The specifications are subject to change without prior notice.

Wireless 2-Input mA Current Meter Interface, 4~20 mA

Introduction

This device is used to detect 4mA-20mA signal equipment. It can simultaneously detect two devices with 4mA-20mA output signal. It uses SX1276 wireless communication module. The R718KA2 can detect the 4mA-20mA signal and add the detection signal data to the gateway to display the collected data in the gateway.

Main Characteristic

- Adopt SX1276 wireless communication module
- Compatible with LoRaWAN™ Class A
- Frequency hopping spread spectrum (FHSS)
- The base is attached with a magnet that can be attached to a ferromagnetic material object
- Configuration parameters can be configured through third-party software platforms, data can be read and alarms can be set via SMS text and email (optional)
- Applicable to the third-party platforms: Actility/ThingPark, TTN, MyDevices/Cayenne
- Low power consumption and long battery life

Note:

Battery life is determined by the sensor reporting frequency and other variables, please refer to http://www.netvox.com.tw/electric/electric_calc.html

On this website, users can find battery life of various models in different configurations.

Application

- Sensing
- Measuring devices
- Instrumentation
- Others

Wireless 2-Input mA Current Meter Interface, 4~20 mA

Dimension

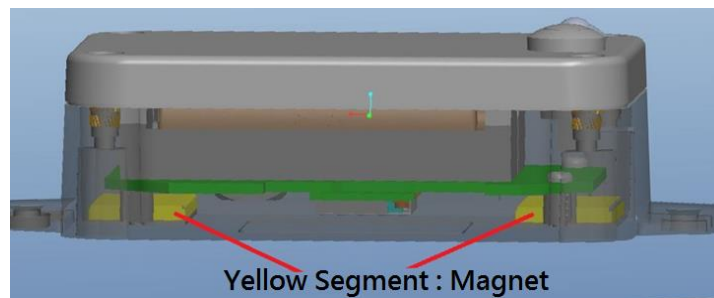
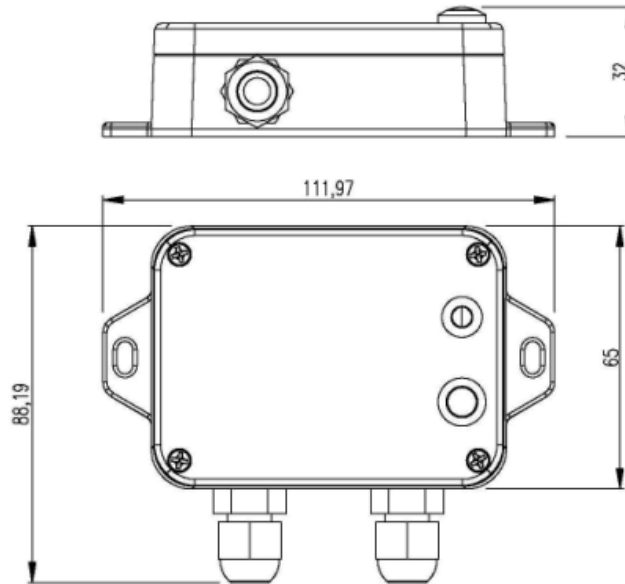


Figure 2 Dimensions of main engine shell

Electric

Input Power	2 x 3.6V ER14505 AA lithium batteries (3.6V 2400mAh/ section)
Sleeping Current	21uA
Wakeup Current	6.3mA/ 3.3V
Receiving Current (max)	11mA/ 3.3V
Transmitting Current (max)	120mA/ 3.3V
Battery Voltage Measurement Accuracy	±0.1V
Low Voltage Threshold	3.2V

Wireless 2-Input mA Current Meter Interface, 4~20 mA

Frequency

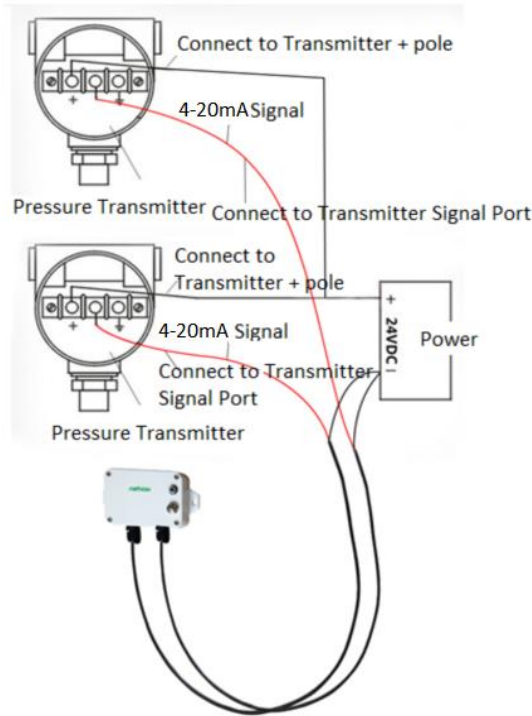
Frequency Range	863MHz-928MHz 470MHz-510MHz
TX Power	US915 20dbm; AS923 16dbm; AU915 20dbm; CN470 19.15dbm; EU868 16dbm; KR920 14dbm; IN865 20dbm;
Receiving Sensitivity	-136 dBm (LoRa, Spreading Factor=12, Bit Rate = 293bps) -121 dBm (FSK, Frequency deviation=5kHz, Bit Rate=1.2kbps)
Antenna Type	Build-in antenna
Communication Distance	10 km (Visible linear obstacle-free transmission distance, actual transmission distance depending on the environment.)
Data Transfer Rate	0.3kbps ~ 50kbps
Modulation	LoRa / FSK (Note: choose one of them)
Supportable LoRaWAN Frequency	EU863-870, US902-928, AU915-928, KR920-923, AS923, CN470-510 (Note: The frequency band is optional and needs to be configured before shipment.)

Physical

Dimension	Main Part: L: 112mm*W: 65mm*H: 32mm
Weight	141g
Environment Humidity Range	<90 %RH (No condensation)
Operating Temperature	-20°C to 55 °C
Storage Temperature	-40°C to 85 °C

Wireless 2-Input mA Current Meter Interface, 4~20 mA

2-wire System Example Diagram (for wiring reference)



3-wire System Example Diagram (for wiring reference)

