

Wireless Water Leakage Sensor

Wireless Sensor Network Based on LoRa Technology



R718WA Data Sheet

Copyright©Netvox Technology Co., Ltd.

This document contains proprietary technical information which is the property of NETVOX Technology. It shall be maintained in strict confidence and shall not be disclosed to other parties, in whole or in part, without written permission of NETVOX Technology. The specifications are subject to change without prior notice.

Introduction

This device is a water leak alarm device. When the water sensor detects a leak, it will send an alarm message to the gateway. When the water sensor detects that there is no water leak again, it will send a normal status message to the gateway. The device adopts the SX1276 wireless communication module.

Main Characteristic

- Adopt SX1276 wireless communication module
- 2 ER14505 battery AA SIZE (3.6V / section) in parallel
- Water leak detection
- The base is attached with a magnet that can be attached to a ferromagnetic material object
- IP rating: IP65/67 (optional)
- The water leakage sensor can withstand 50°C (theoretical value)
- Compatible with LoRaWAN™ Class A
- Frequency hopping spread spectrum technology
- Configuring parameters and reading data via the third-party software platforms, and set alarms via SMS text and email (optional)
- Applicable to the third-party platforms: Actility / ThingPark / TTN / MyDevices / Cayenne
- Low power consumption and long battery life

Note:

Battery life is determined by the sensor reporting frequency and other variables.

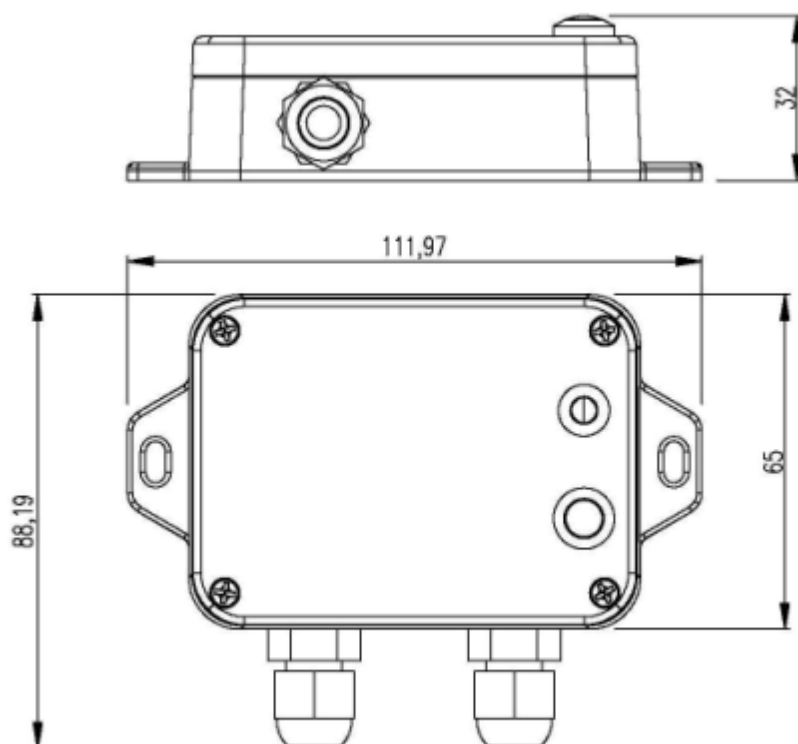
Please refer to http://www.netvox.com.tw/electric/electric_calc.html

On this website, users can find various types of battery-life time in different configurations.

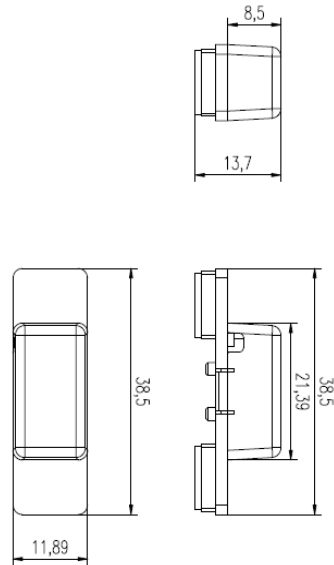
Wireless Water Leakage Sensor

Application

- Generator room
- Warehouse
- Smart home
- Archive
- Air conditioning
- Semiconductor plant
- Data Center
- Others

Dimension

Wireless Water Leakage Sensor



(Water Leak Sensor)

(Unit mm)

Electric

Power Supply	2 x 3.6V ER14505 AA lithium batteries (3.6V 2400mah/section) The specific specifications of lithium batteries are subject to actual shipment.
Operating Voltage	DC 3.1V~3.65V
Battery Lifetime	5 years (Conditions: ambient temperature 25 °C, 15 min report once, TX power = 20dBm, LoRa spreading factor SF = 10)
Standby Current	22uA
Wake-up Current	7.12mA (Typical value) Wakeup current range 0.8mA-20 mA * When not transmitting /receiving LoRa data
Low Battery Threshold	3.2V
Battery Measurement Accuracy	±0.1V

Module-R100H

Wake-up Current	0.8mA - 8mA/ 3.3V
RF Receiving Current (max)	11 mA/ 3.3V
RF Emission Current (max)	120mA/ 3.3V

* Specific electrical characteristics will vary depending on the power supply voltage

Wireless Water Leakage Sensor
Water Leak Sensor Wiring Feature

Water Line Material	UL2547 24AWG
Water Line Diameter (max)	3.5mm
Water Line Length	1000mm (±10mm)
Water Line Flame Resistance Rating	VW-1
Water Line Length Limit	300m (theoretical value)

Frequency

Frequency Range	863MHz-928MHz 470MHz-510MHz
TX Power	US915 20dbm AS923 16dbm AU915 20dbm CN470 19.15dbm EU868 16dbm KR920 14dbm IN865 20dbm
Receiving Sensitivity	-136dBm (LoRa, Spreading Factor=12, Bit Rate = 293bps) -121 dBm (FSK, Frequency deviation=5kHz, Bit Rate=1.2kbps)
Antenna Type	Built-in antenna
Communication Distance	Up to 10 km(The actual transmission distance depends on the real environment.)
Data Transfer Rate	0.3kbps to 50kbps
Modulation Method	LoRa/FSK (Note: choose one of them)
Supportable LoRaWAN Band	EU863-870, US902-928, AU915-928, KR920-923, AS923, CN470-510 (Note: The frequency band is optional and needs to be configured before the shipment)

Physical

Host Body Dimension	L: 112 mm*W: 88.2 mm*H: 32 mm
Water Leak Sensor Dimension	L: 38.5 mm*W: 11.89 mm*H: 13.7mm
Host Body Weight	About 141 g
Ambient Temperature Range	-20°C to 55°C
Ambient Humidity Range	<90% RH (No condensation)
Storage Temperature Range	-40 °C ~ 85 °C